

**PLEASE CHECK WWW.MOLEX.COM FOR LATEST PART INFORMATION**

**Part Number:** [0015474117](#)  
**Status:** **Active**  
**Overview:** [cgrid\\_sl\\_products](#)  
**Description:** 2.54mm (.100") C-Grid SL™ Single Row, Female, Version G Receptacle, 11 Circuits

**Documents:**

[3D Model](#) [Product Specification PS-70430 \(PDF\)](#)  
[Drawing \(PDF\)](#) [RoHS Certificate of Compliance \(PDF\)](#)

**Agency Certification**

CSA LR19880  
 UL E29179

**General**

Product Family FFC/FPC Connectors  
 Series [70430](#)  
 Overview [cgrid\\_sl\\_products](#)  
 Product Name SL™

**Physical**

Circuits (Loaded) 11  
 Color - Resin Black  
 Contact Position N/A  
 Durability (mating cycles max) 50  
 Entry Angle Vertical  
 Flammability 94V-0  
 Material - Metal Phosphor Bronze  
 Material - Plating Mating Gold  
 Material - Plating Termination Tin  
 Material - Resin Polyester Alloy  
 Number of Rows 1  
 Orientation Vertical  
 PC Tail Length (in) 0.130 In  
 PC Tail Length (mm) 3.30 mm  
 PCB Retention None  
 PCB Thickness Recommended (in) 0.062 In, 0.093 In  
 PCB Thickness Recommended (mm) 1.60 mm, 2.40 mm  
 Packaging Type Tube  
 Pitch - Mating Interface (in) 0.100 In  
 Pitch - Mating Interface (mm) 2.54 mm  
 Pitch - Term. Interface (in) 0.100 In  
 Pitch - Term. Interface (mm) 2.54 mm  
 Plating min: Mating (µin) 30  
 Plating min: Mating (µm) 0.75  
 Plating min: Termination (µin) 75  
 Plating min: Termination (µm) 1.875  
 Polarized to PCB N/A  
 Stackable Yes  
 Temperature Range - Operating -40°C to +105°C  
 Termination Interface: Style IDT or Pierce  
 Wire/Cable Type FFC/FPC

**Electrical**

Current - Maximum per Contact 1A, 2A  
 Voltage - Maximum 250V

**Material Info**



**EU RoHS**

**ELV and RoHS Compliant**

**REACH SVHC**

Not Reviewed

**Halogen-Free**

**Status**

**Not Reviewed**

**China RoHS**



**Need more information on product environmental compliance?**

Email [productcompliance@molex.com](mailto:productcompliance@molex.com)  
 For a multiple part number RoHS Certificate of Compliance, [click here](#)

Please visit the [Contact Us](#) section for any non-product compliance questions.

**Search Parts in this Series**

[70430Series](#)

**Mates With**

C-Grid® locking headers and panel mounts

**Application Tooling | FAQ**

*Tooling specifications and manuals are found by selecting the products below. Crimp Height Specifications are then contained in the Application Tooling Specification document.*

**Global**

Description	Product #
Manual Ribbon Cable Cutter Hand Tool	<a href="#">0638170100</a>
Tool Kit for Standard Manual Press for FFC	<a href="#">0622007400</a>
Standard Manual Press for FFC	<a href="#">0622007800</a>
TM-42™ FFC and SL™ Termination Kit	<a href="#">0622018700</a>
TM-42™ FFC and SL™ Press and Termination Kit for 110v applications	<a href="#">0622020800</a>

Old Part Number

70430-0500

**Reference - Drawing Numbers**

Product Specification

PS-70430

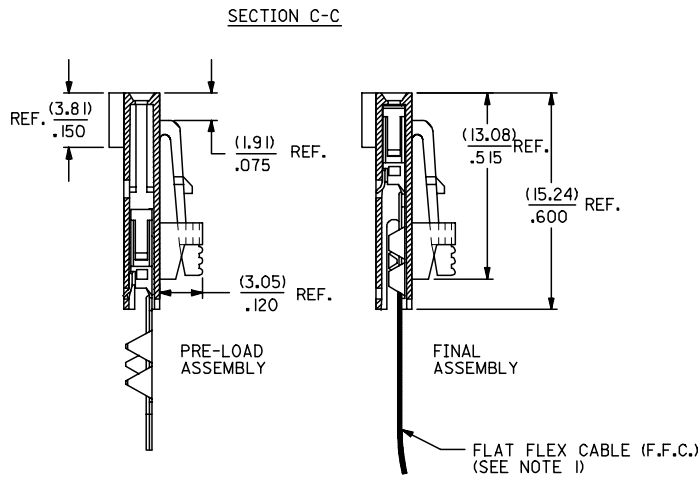
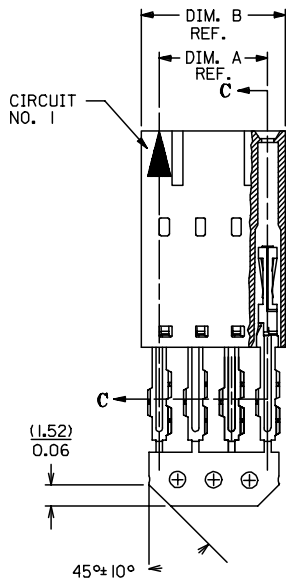
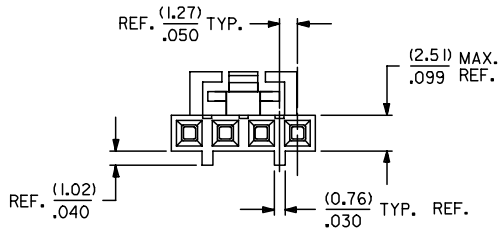
Sales Drawing

SDA-70430-0491-0514

This document was generated on 05/18/2010

**PLEASE CHECK [WWW.MOLEX.COM](http://WWW.MOLEX.COM) FOR LATEST PART INFORMATION**

"G" - OPTION



NOTES:

- 1) PRE LOADED ASSEMBLY TO BE USED WITH (0.30)/.012 MAX. THICK FLAT FLEX CABLE WITH (1.57)/.062 WIDE COPPER CONDUCTORS ON (2.54)/.100 CENTERS OR, (0.13)/.005 - (0.28)/.011 THICK MYLAR WITH (1.02)/.040 - (1.65)/.065 WIDE SILVER INK CONDUCTORS ON (2.54)/.100 CENTERS.
- 2) STANDARD PACKING PER PK70873-0001 SHALL BE USED.
- 3) SEE CHART FOR CIRCUIT SIZES, 'A' AND 'B' DIMENSIONS.
- 4) TWO (2) CIRCUIT ASSEMBLIES SUPPLIED AS GROUPED PAIRS.
- 5) PART MATES WITH (0.64)/.025 SQ. PINS, (8.13)/.320 TO (5.08)/.200 LONG ON (2.54)/.100 CENTERS.
- 6) REFER TO SDA-70430-\*\*\*\* (SHEET 3) FOR MINOR VARIATIONS TO "G" OPTION HOUSINGS.
- 7) PARTS CONFORM TO CLASS B OF COSMETIC SPECIFICATION PS-45499-002.

HOUSING MATERIAL: GLASS FILLED POLYESTER, UL 94V-0.  
 TERMINAL MATERIAL: PHOSPHOR BRONZE  
 PLATING: 30 GOLD - .000030 MINIMUM  
                   .000075 MINIMUM  
                   .000050 MINIMUM  
 GOLD PLATE IN SELECT AREA,  
 TIN PLATE IN SELECT AREA,  
 NICKEL PLATE OVER-ALL.

CONTACT PLATING	COLOR CODE
TIN	NONE
15 GOLD	YELLOW
30 GOLD	RED

CKT. SIZE	EDP. NO.	ENG. NO.	A	B
2	015-47-4027	70430-0491	(2.54) .100	(5.05) .199
3	015-47-4037	70430-0492	(5.08) .200	(7.59) .299
4	015-47-4047	70430-0493	(7.62) .300	(10.13) .399
5	015-47-4057	70430-0494	(10.16) .400	(12.67) .499
6	015-47-4067	70430-0495	(12.70) .500	(15.21) .599
7	015-47-4077	70430-0496	(15.24) .600	(17.75) .699
8	015-47-4087	70430-0497	(17.78) .700	(20.29) .799
9	015-47-4097	70430-0498	(20.32) .800	(22.83) .899
10	015-47-4107	70430-0499	(22.86) .900	(25.37) .999
11	015-47-4117	70430-0500	(25.40) 1.000	(27.91) 1.099
12	015-47-4127	70430-0501	(27.94) 1.100	(30.45) 1.199
13	015-47-4137	70430-0502	(30.48) 1.200	(32.99) 1.299
14	015-47-4147	70430-0503	(33.02) 1.300	(35.53) 1.399
15	015-47-4157	70430-0504	(35.56) 1.400	(38.07) 1.499
16	015-47-4167	70430-0505	(38.10) 1.500	(40.61) 1.599
17	015-47-4177	70430-0506	(40.64) 1.600	(43.15) 1.699
18	015-47-4187	70430-0507	(43.18) 1.700	(45.69) 1.799
19	015-47-4197	70430-0508	(45.72) 1.800	(48.23) 1.899
20	015-47-4207	70430-0509	(48.26) 1.900	(50.77) 1.999
21	015-47-4217	70430-0510	(50.80) 2.000	(53.31) 2.099
22	015-47-4227	70430-0511	(53.34) 2.100	(55.85) 2.199
23	015-47-4237	70430-0512	(55.88) 2.200	(58.39) 2.299
24	015-47-4247	70430-0513	(58.42) 2.300	(60.93) 2.399
25	015-47-4257	70430-0514	(60.96) 2.400	(63.47) 2.499

ADD TOLERANCE FC NO: UCP2007-2849 DRAWN: JORGAN 2007/05/18 CHKD: MS BARRA 2007/05/21 APPR: SMILLER 2007/05/21 REVISION SYMBOLS ▽=0 ▽=0	QUALITY SYMBOLS	GENERAL TOLERANCES (UNLESS SPECIFIED)	DIMENSION STYLE	SCALE	DESIGN UNITS	THIRD ANGLE PROJECTION	
		mm INCH	MM/IN	4:1	INCH		
		4 PLACES ± --- ± ---	RAS	DRAWN BY	DATE	TITLE	
		3 PLACES ± --- ± .010	CHECKED BY	MJM	1986/07/21	ASSEMBLY, CONNECTOR FFC FEMALE SINGLE ROW (2.54)/.100 GRID	
	2 PLACES ± 0.25 ± .015	APPROVED BY	WAZ	1986/07/21	MOLEX INCORPORATED		
	1 PLACE ± 0.38 ± ---	MATERIAL NO.			DOCUMENT NO.	SHEET NO.	
	ANGULAR ±1/2°	DRAFT WHERE APPLICABLE MUST REMAIN WITHIN DIMENSIONS	SEE TABLE		SDA-70430-0491-0514	1 OF 1	
					THIS DRAWING CONTAINS INFORMATION THAT IS PROPRIETARY TO MOLEX INCORPORATED AND SHOULD NOT BE USED WITHOUT WRITTEN PERMISSION		